



LUZZO

BUILDING MATERIALS

www.luzzobm.com



All images used
in this catalog
are property of
Luzzo Bulding Materials LLC

Florida, Miami,
EE.UU.
7540 NW 5th St suit 2, Plantation,
FL 33317, United Station.

ww.luzzobm.com
@Luzzobm



With heart
and luxury.



About us...

We are an experienced team that believes in transformation and innovation. We believe in the importance of the changes, but even more, we think everyone can create sustainable and comfortable places.

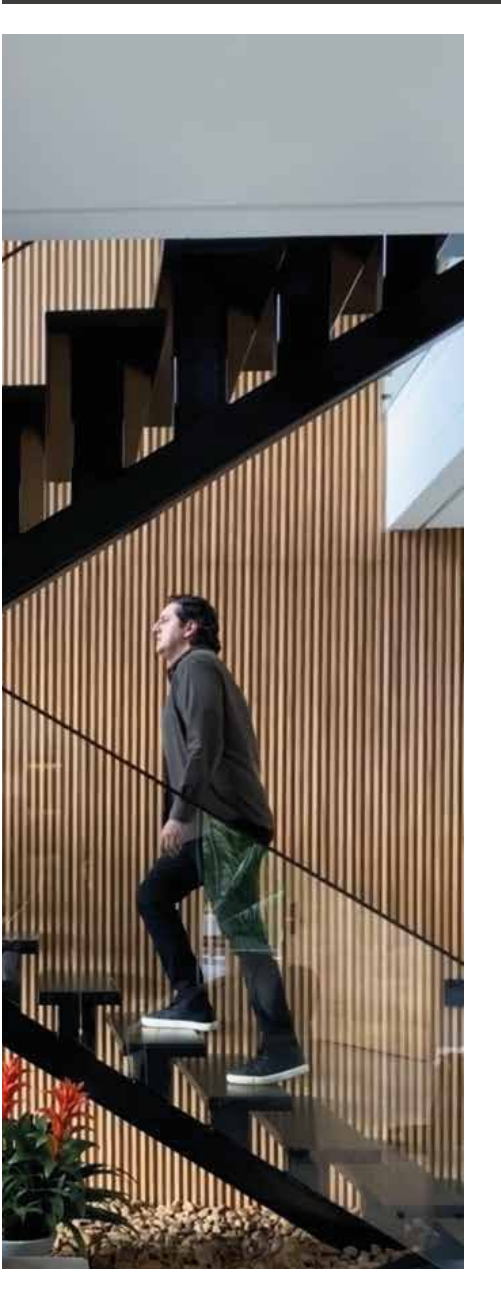
We don't renovate spaces, we help you to transform them in a modern, luxury, and eco-friendly way. We experiment with new concepts and ideas to offer the touch of innovation that will turn your home, office, or any place you want into the best environment

With Wood Plastic Composite panels (WPC) of the highest quality. Practical, eco-friendly, and less destructive with the forest.



¿What is

WPC?

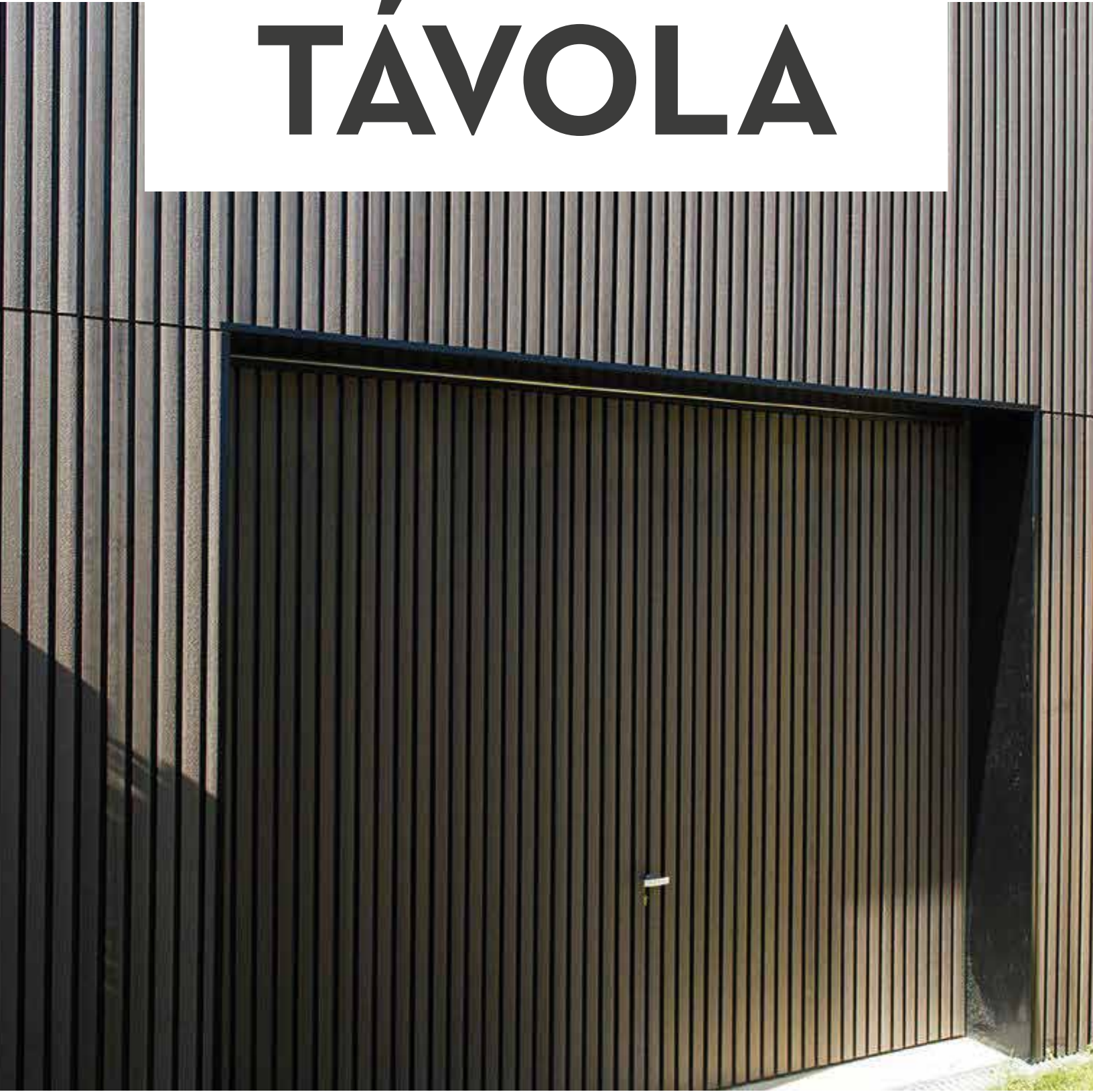


Awareness of the use of natural resources and the sustainability of the ecosystem has led to the production of materials that are more respectful with the planet and less destructive to the forest mass. The WPC panel (Wood Plastic Composite) allows all this through a production technique that requires much less wood, using recycled materials, obtaining equally satisfactory and even more creative results. The WPC are panels created from composites of wood and synthetic particles (plastic), which makes them an environmentally friendly option and also an inalterable material, thanks to its composition it does not rot or alter in the presence of microorganisms, it is resistant to environmental changes and does not suffer wear and tear due to the weather. In addition to being fire retardant, it requires no maintenance, is easy to install and provides a natural finish to spaces.

A photograph of a modern outdoor wall. The wall features vertical wood slats in a warm brown tone. The base of the wall is constructed from stacked, irregular stones in shades of tan and grey. In the foreground, there is a light-colored concrete pool deck with a grid pattern. A portion of a swimming pool with a red brick coping is visible in the bottom right corner. The background shows a clear blue sky and several trees, including a large green tree on the left and a bare tree on the right.

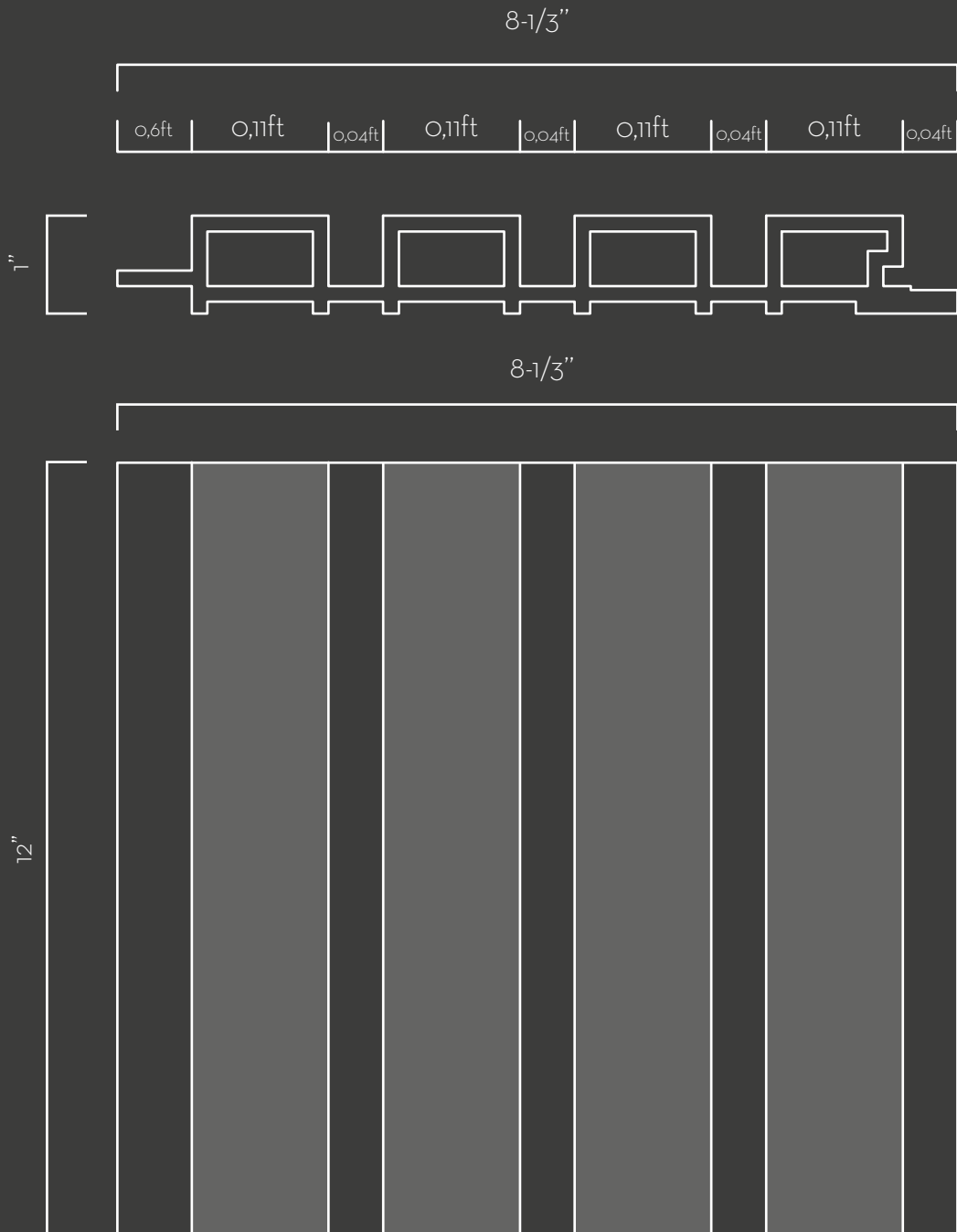
**Build what
you dream.**

TÁVOLA



Tavola

dimensions

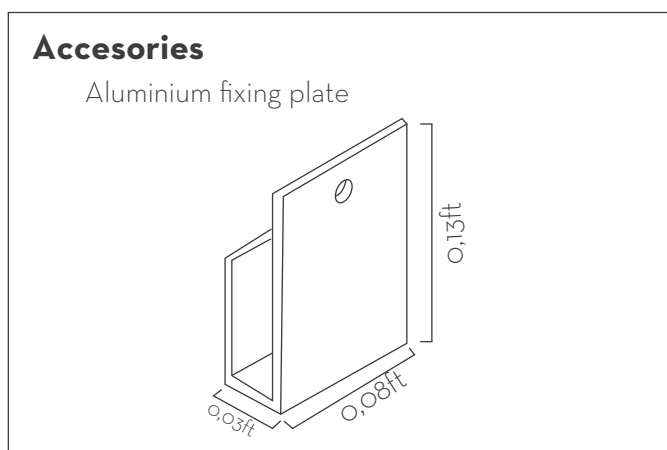
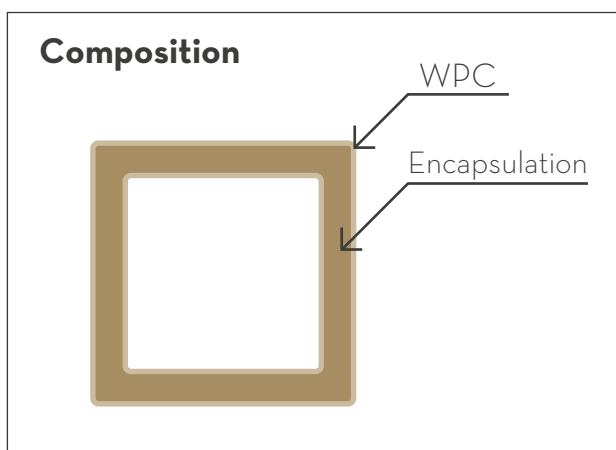


Technical data

TAVOLA



3D WALL PANEL	
Wide:	8-1/3"
Lenght:	12"
Depth:	1"
Finish:	Ribbed
Weigth:	12 Lb/ unit
Composition:	Encapsulated WPC



Indoor and outdoor applications:

Facades.
Interiors.

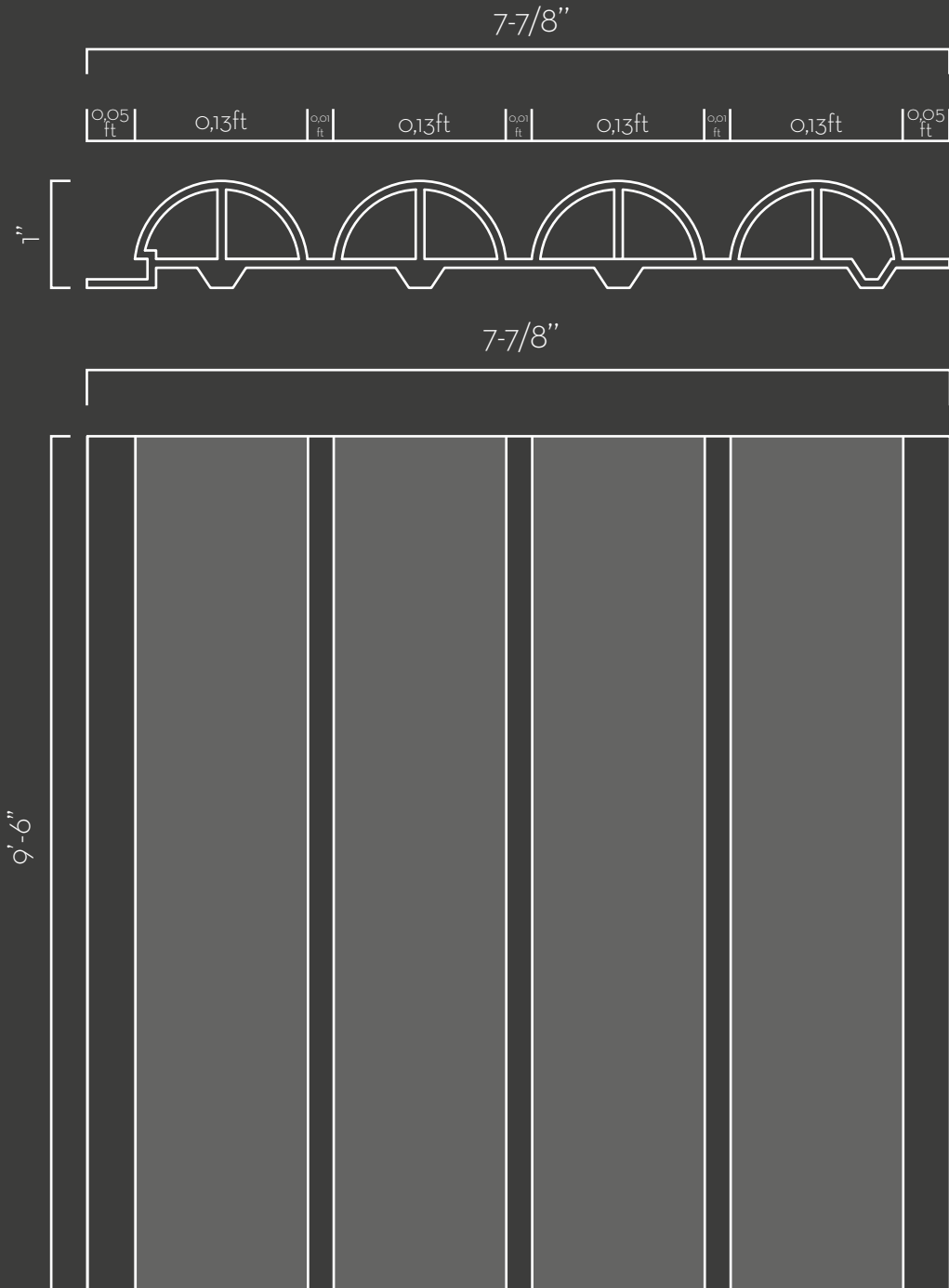
Coating.
Ceilings.

VOLTA



Volta

dimensions

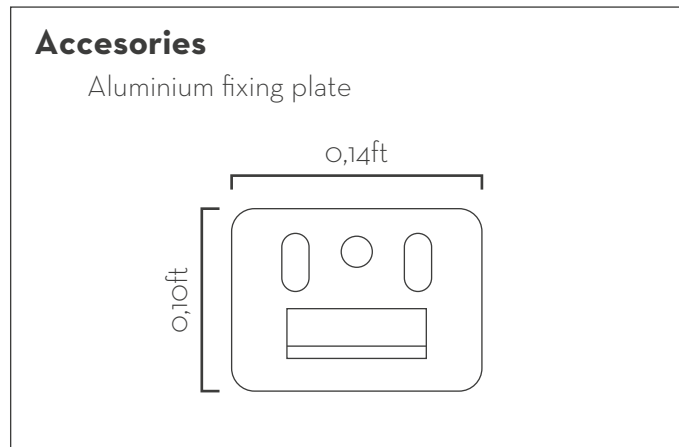
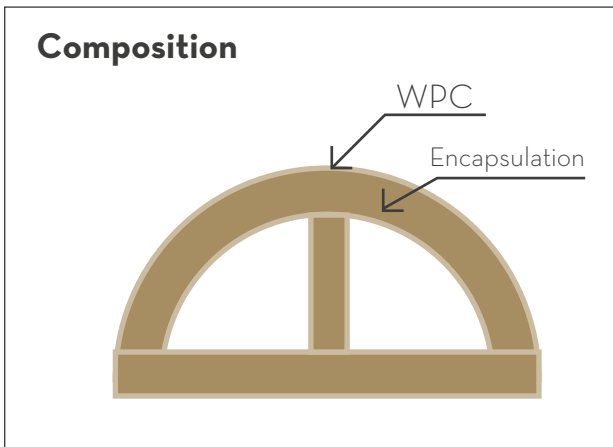


Technical data

VOLTA



3D WALL PANEL	
Wide:	7-7/8"
Lenght:	9'-6"
Depth:	1"
Finish:	Ribbed
Weight:	6 Lb/unit
Composition:	Encapsulated WPC



Applications on interior spaces:

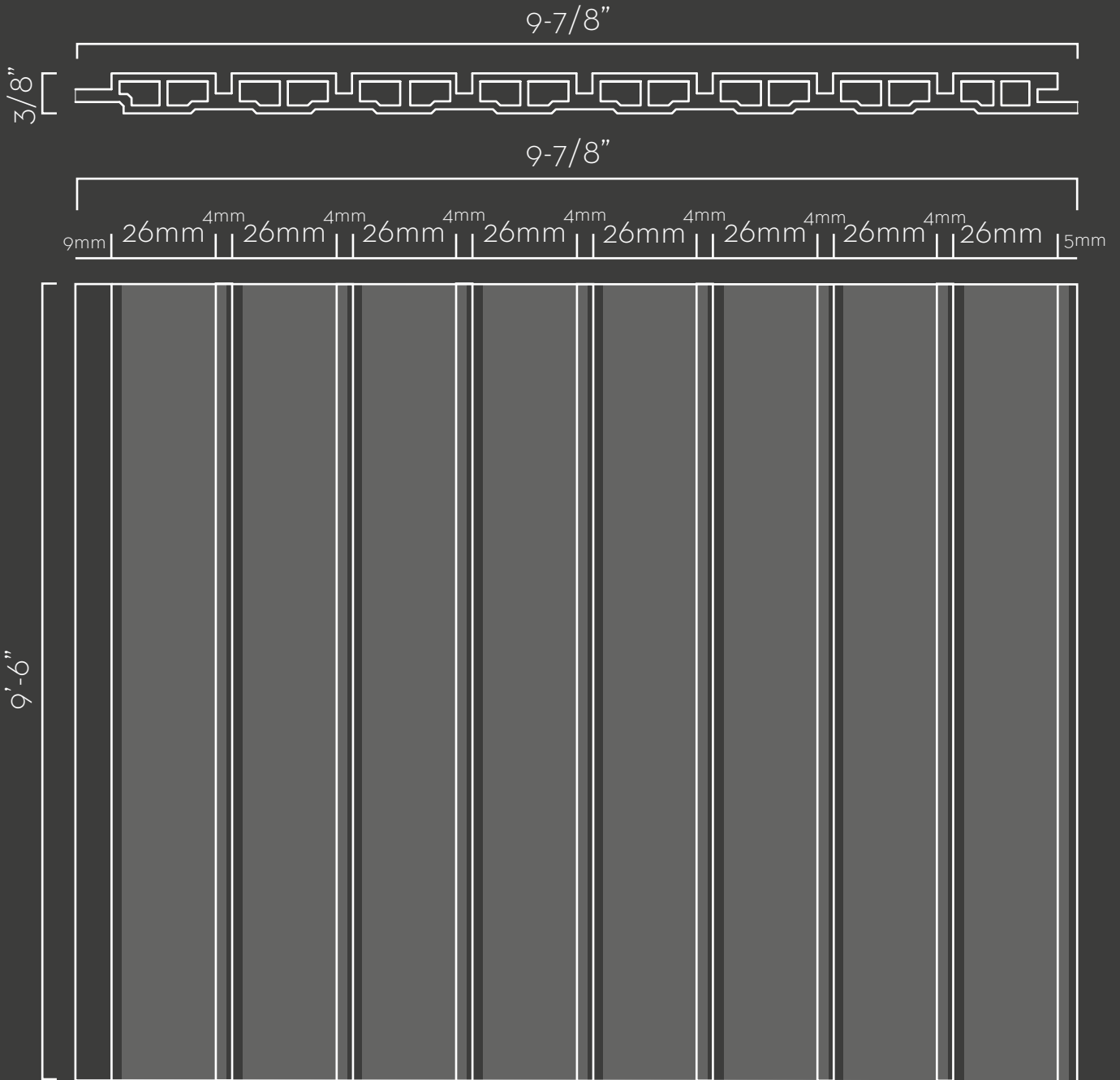
- Interiorism.
- Ceilings.
- Coatings.

LISCIO



Liscio

dimensions

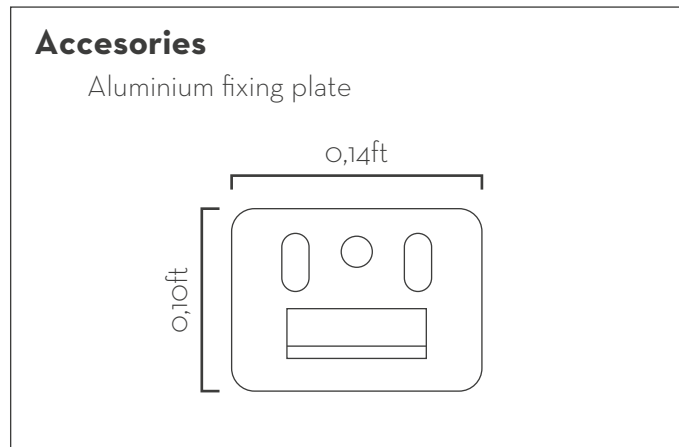
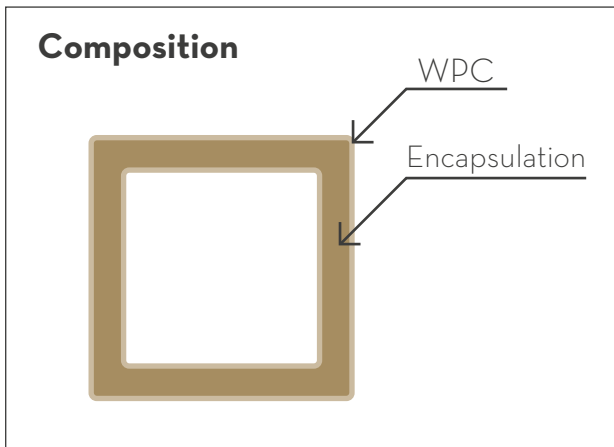


Technical data

LISCIO



Wall panel 3D	
Wide:	9-7/8"
Lenght:	9'-6"
Depth:	3/8"
Finishi:	Corrugated
Weigth:	6 Lb/unit
Composition:	Encapsulated WPC



Applications on interior spaces:

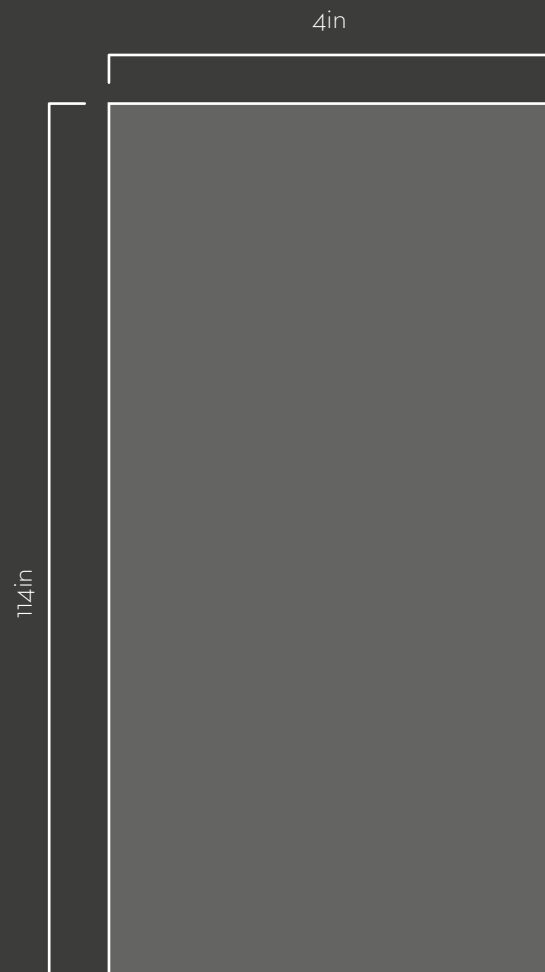
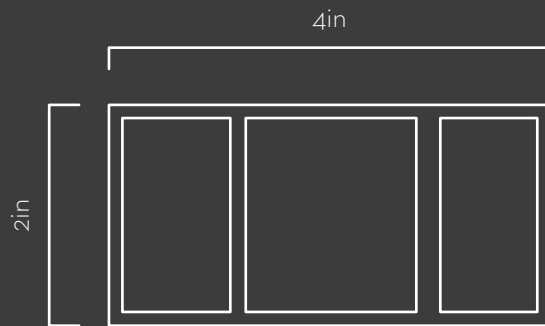
Interiorism.
Ceilings.
Coatings.

NASTRO



Nastro

Dimensions



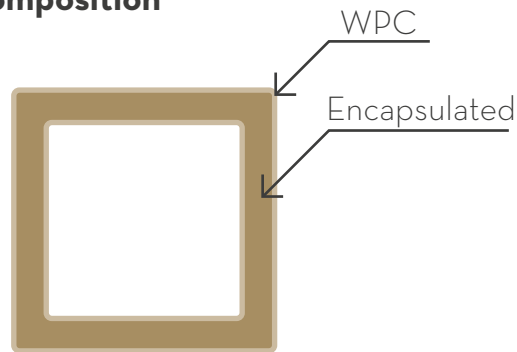
Technical data

NASTRO



3D WALL PANEL	
Wide:	4 in
Lenght:	114in
Depth:	2in
Finish:	Textured
Weigth:	13 Lb/ unit
Composition:	Encapsulated WPC

Composition



Applications in outdoor spaces:

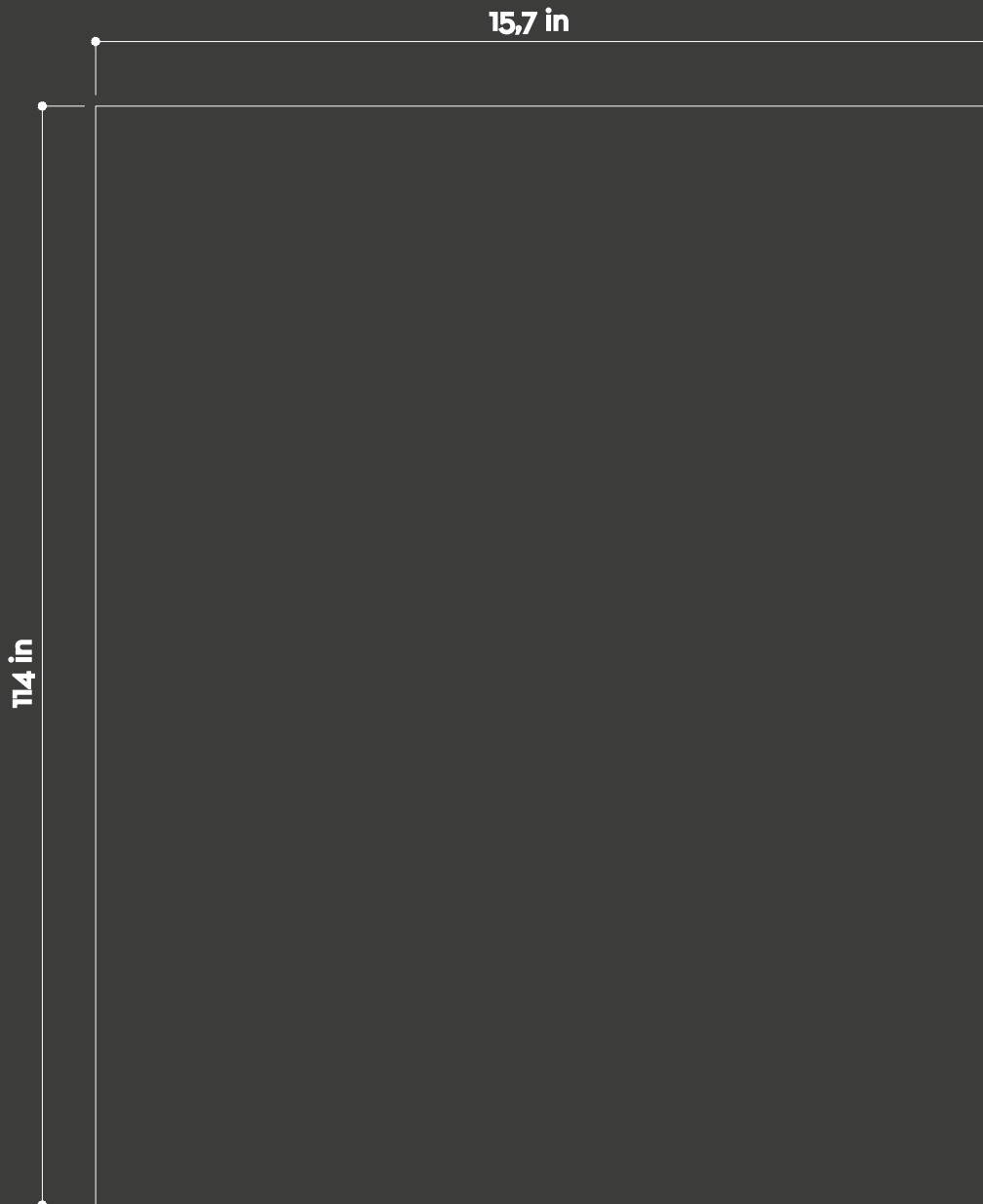
Interior design.
Divisions.
Pergolas.

PIATTO



Piatto

dimensions

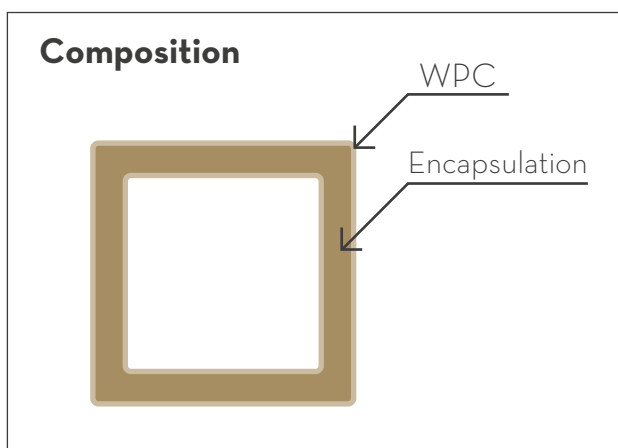


Technical data

Piatto



3D WALL PANEL	
Wide:	15,7 in
Lenght:	114 in
Depth:	0,4 in
Finish:	Smooth
Weigth:	12 Lb/ unit
Composition:	Encapsulated WPC



Indoor and outdoor applications:

Facades.
Interiors.

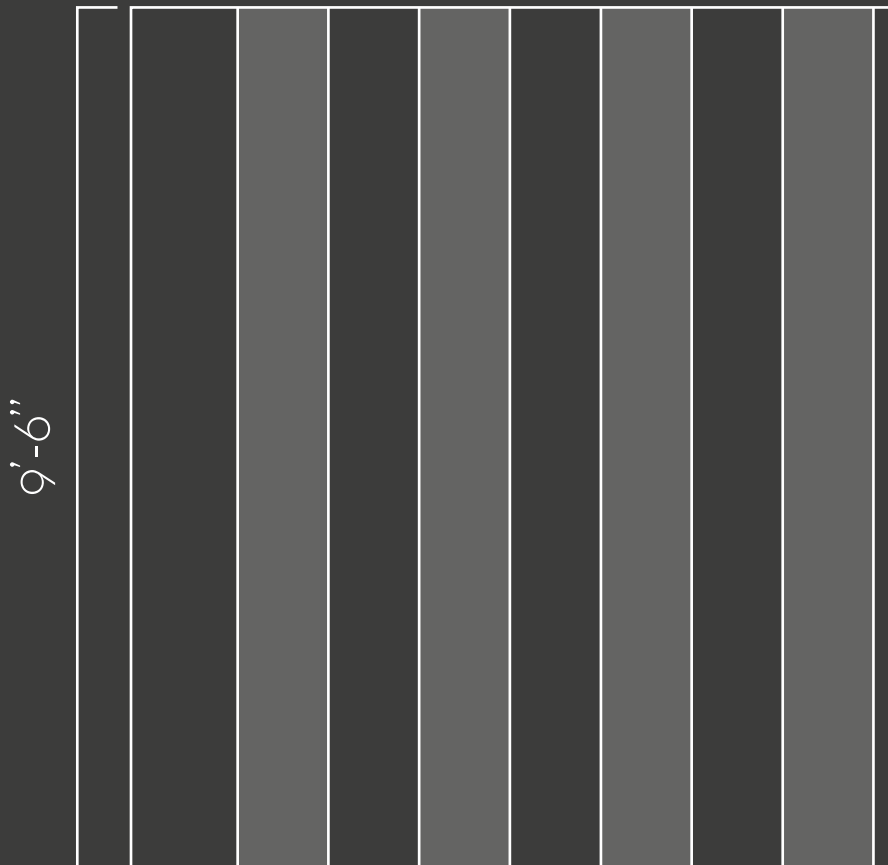
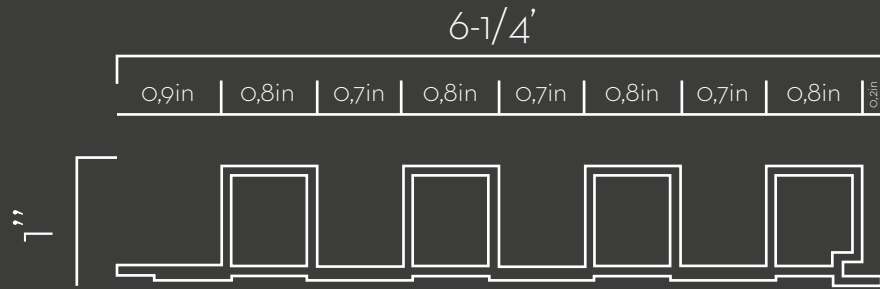
Coating.
Ceilings.

BANCAL



Bancal

dimensions

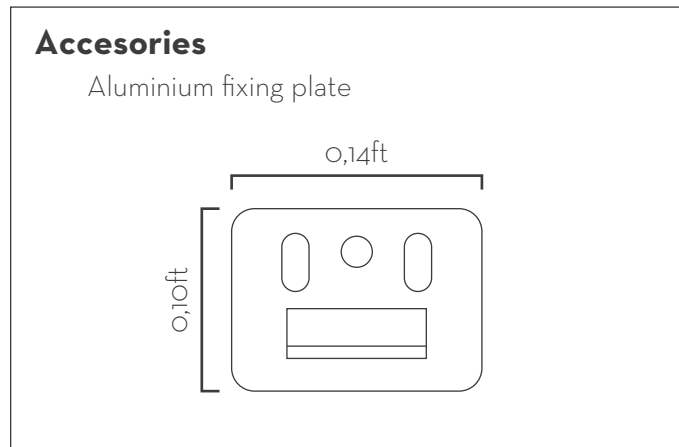
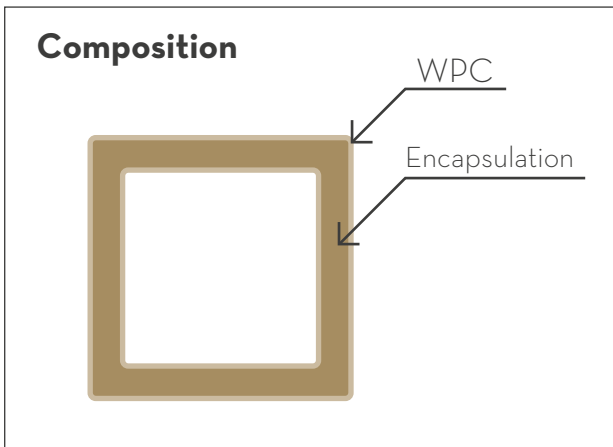


Technical data

BANCAL



3D WALL PANEL	
Wide	6-1/4'
Lenght:	9'-6"
Depth:	1"
Finish:	Ribbed
Weight:	4lb /unit
Composición:	Encapsulated WPC



Applications on interior spaces:

Interiorism.
Ceilings.
Coatings.

Warranty

for Luzzo's panels

Our product has the following warrantees:

WPC Panels:

Our product has the following warranty: WPC Panels: 5 years warranty. This guarantee covers the longevity of the product against structure deformations in it and/or composition that could significantly modify its appearance or its functionality.

The warranty will exclusively cover the replacement of our material and the cost of replancing them on site. The warranty only covers the value of the product and doesn't cover labor or other costs for remove of install products.

For all purposes, the warranty terms will be considered from the date of the invoice.

Transport:

The responsibility during the transport of the material will be considered on behalf of the buyer or client, unless expressly indicated in the invoice that this service has been contracted.

If it's necessary to activate the transport insurance, the guarantee will be understood to have expired with the acceptance of the buyer, either through his signature or after 3 days from receipt. This as long as, at the time of receipt of the product, its acceptance with reservations is stated in writing in the transporter document, because it considers the existence of some hidden damage or that could not be verified within this period for the corresponding claim of transport insurance.

Warranty annulment:

- All guarantees will be no longer be valid due to events not attributable to the manufacturer, such as natural disasters (earthquakes, tornados and floods) or accidents such as fires or impacts of objects on the product that could damage it, improper use of the product for other purposes than those considered by the manufacturer.
- The damage that could be caused by cleaning with abrasive chemical agents or caused scratches is not covered by the guarantee, considering these, those that are mentioned after the reception of the panel or the signature of conformity of delivery and installation on site, as appropriate to the contracted service.
- It is considered null and void, when the installation is the responsibility of the buyer, serious defects are detected in it that could partially or totally null the product guarantees due to direct affectation.

**If you would like to request a warranty on our panels,
please contact your consultant to send you the form.**

PRICELIST

PANEL	SIZE(in)	MSRP	PACKING PER BOX
PIATTO	15,7x0,4x114	\$ 50,00	5
VOLTA	7,87x0,98x114	\$ 40,00	11
LISCIO	9,8x0,4x114	\$ 40,00	15
NASTRO EXTERIOR	4x2x114	\$ 45,00	1
BANCAL	6,3x0,9x114	\$ 40,00	14
BASTONE	1,9x2,4x114	\$ 20,00	16
TÁVOLA 9,5 PIES	8,6x1x114	\$ 58,00	4
TÁVOLA 12 PIES	8,6x1x114	\$ 74,00	4
INSTALATIONBASTONE KEEL	118	\$ 9,99	1
OUTDOOR CORNER	114	\$ 24,99	1
INDOOR CORNER	114	\$9,99	1
INDOOR BRACKET	●	\$ 0,49	1
OUTDOOR BRACKET	●	\$ 0,49	1

LUZZO

7540 NW 5th St suit 2
 Plantation, FL 33317, Estados Unidos
info@luzzobm.com
 Phone number: (954) 800-4906
www.luzzobm.com